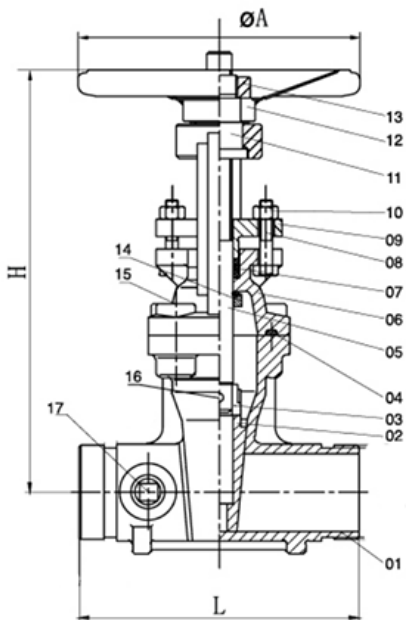




Material specifications

Part	Specification	American standard
Nominal pressure	300PSI (21 bar)	
Working temperature	0°C +100°C	
Groove standard		AWWA C606
Coating	Epoxy	
Body	Ductile iron	ASTM A-536, grade 65-45-12
Disc	Ductile iron + EPDM	ASTM A-536, grade 65-45-12 + EPDM
Stem	S.S.304	ASTM A-276
Sealing Kits	PTFE	ASTM D4745
Handwheel	Steel	ANSI 1045
Plug	Cast bronze	ASTM B62



ITEM SIZE	L	H	ØA
2"	178	280	180
2-1/2"	190	310	220
3"	203	370	250
4"	229	428	280
5"	254	532	300
6"	267	590	350
8"	292	735	380
10"	330	908	450
12"	356	1150	450